

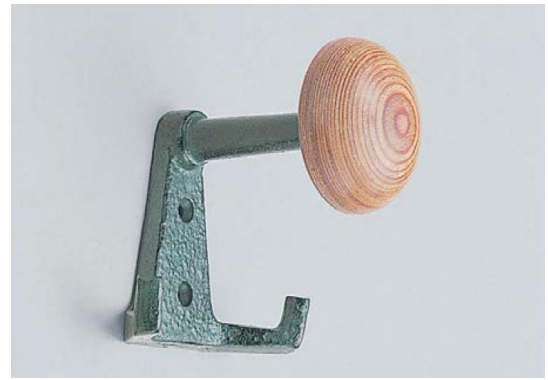
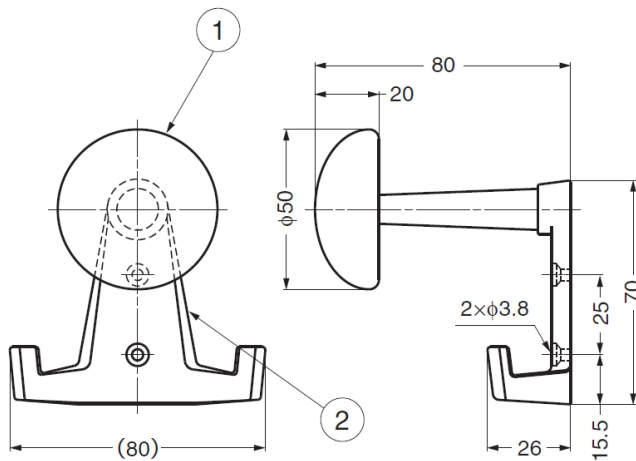
GSW-B-75 Coat Hook

Features

- Laminated wood resists water, oil, heat, etc

Parts Included

- Countersunk round head wood screw 3.5×40 black chromate (2 pcs)
- Countersunk head wood screw 3.1×20 green colour head (2 pcs)



No.	Material	Finish
①	Natural Wood	Plain
②	Aluminium Alloy	Patina Green

Part No.	Load Capacity
GSW-B-75	Top Hook: 49 N (5 kg) Bottom Hook: 147 N (15 kg)

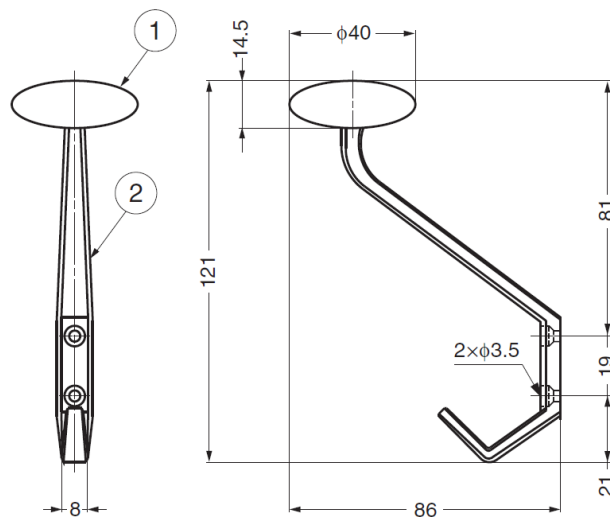
GSW-B-90 Coat Hook

Features

- Laminated wood resists water, oil, heat, etc.

Parts Included

- Countersunk head wood screw 3.1×20



No.	Material	Finish
①	Natural Wood	Plain
②	Brass	Satin Nickel

Part No.	Load Capacity
GSW-B-90	Top Hook: 19.6 N (2 kg) Bottom Hook: 98 N (10 kg)